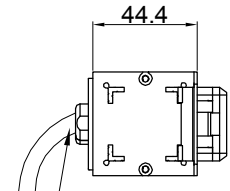
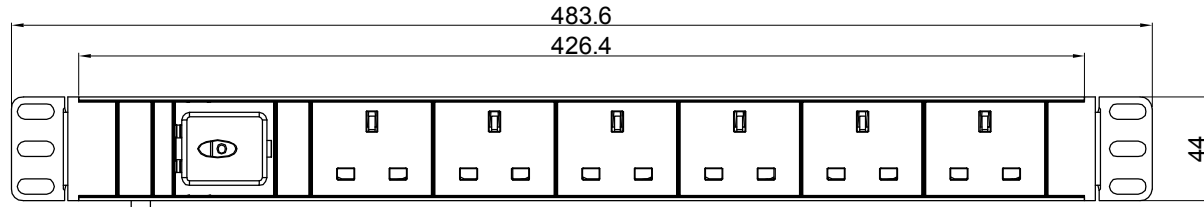
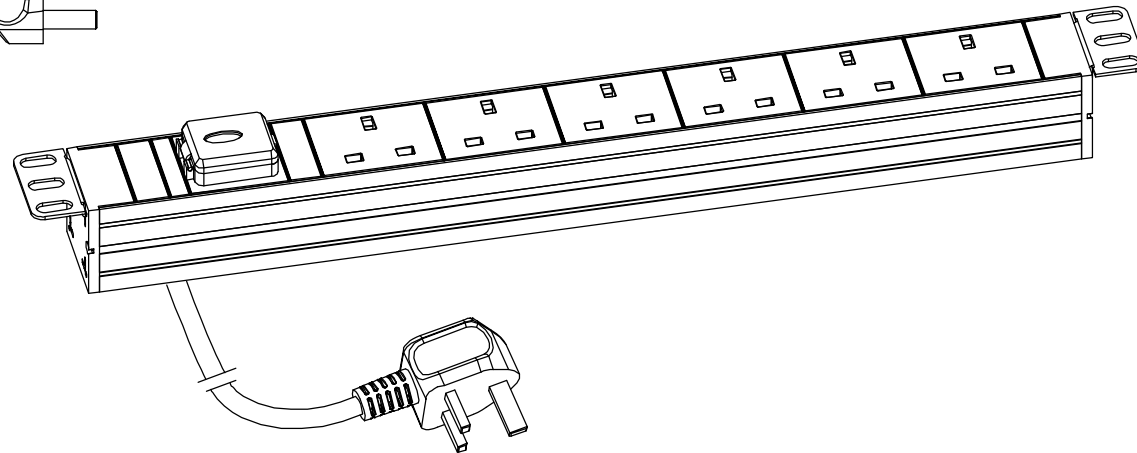
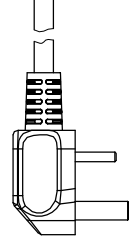


Copyright 2017 -

RoHS Compliant


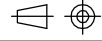


M4x12
Earth stud and
Protector



<p>Basic Series</p>	<p>OUTPUT</p> <p>(6) BS 1363 receptacles (13A Rated) (1) Green Switch</p>	<p>OPERATING TEMPERATURE</p> <p>0° to 60°C</p>
<p>INPUT</p> <p>250VAC 13A 50HZ UK plug 1M H05VV-V3G1.0mm Power lead</p>	<p>BRANCH CIRCUITS</p> <p>(NONE)</p>	<p>MOUNTING ACCESORIES</p> <p>(2) 42 Bracket (In black)</p>

Revisions		
Rev	Description	Date

<p>DRAWING TYPE</p>  <p>(NO PERMISSION, NO CHANGING)</p>		<h1>BNS4206H</h1>	
<p>unit=mm</p>		<p>Housing</p>	<p>Aluminium</p>
<p>TECHNICAL STANDARD 1.IT11; 2.NO RUSTNESS 3.NO FLAW ON THE SURFACE</p>			<p>Black Anodizing</p>
<p>FILLET</p>	<p>R0.5</p>	<p>DATE 22-08-2017</p>	
<p>ANGLE</p>	<p>±0.5°</p>		
<p>FIRST ANGLE</p> 		<p>SCALE 1:3</p>	