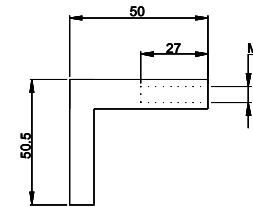
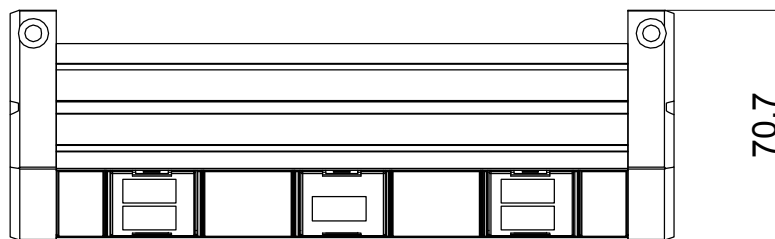
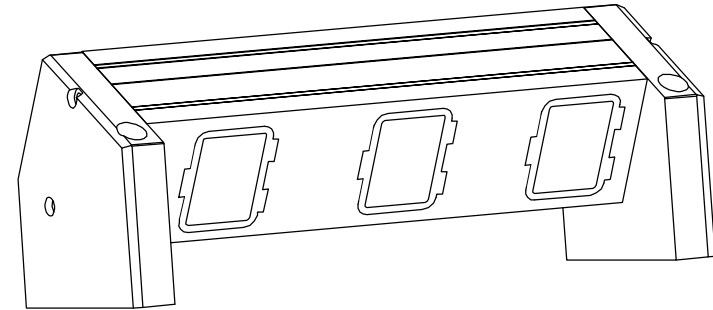
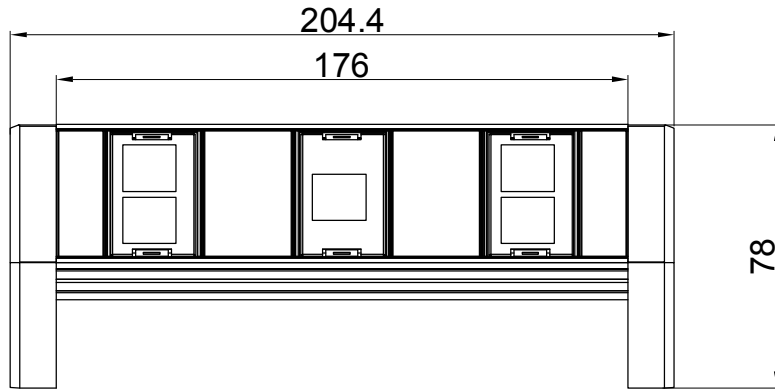
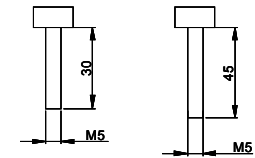


Copyright 2017 -

RoHS Compliant



DS Fixing Bolt 2PCS



Screw M5×30 2PCS

Screw M5×45 2PCS

Desk-Top Series	OUTPUT	OPERATING TEMPERATURE
	(5) RJ45 Mouldle	0° to 60°C
INPUT	BRANCH CIRCUITS	MOUNTING ACCESORIES
(NONE)	(NONE)	(2)DS Fixing Bolt (2)Screw M5×30 (2)Screw M5×45

Revisions		
Rev	Description	Date

DRAWING TYPE <small>(NO PERMISSION,NO CHANGING)</small>		DS5RJ45	
unit=mm		Housing	Aluminar (Grey)
TECHNICAL STANDARD 1.IT11; 2.NO RUSTNESS 3.NO FLAW ON THE SURFACE			Endcover PA6GF (Black)
FILLET	R0.5		
ANGLE	±0.5°		
FIRST ANGLE 			
SCALE 1:3		DATE 24-05-2017	