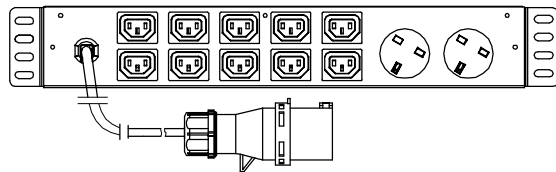
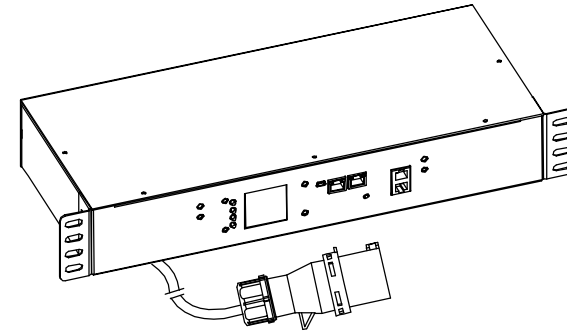
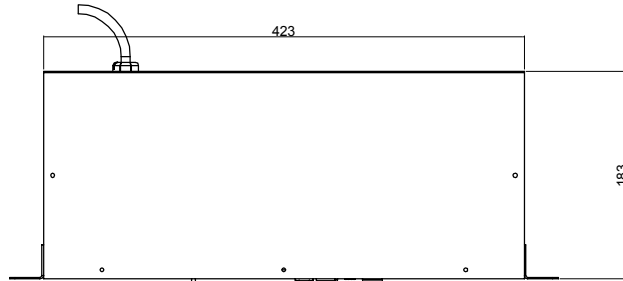
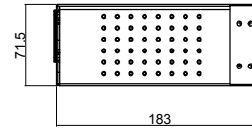
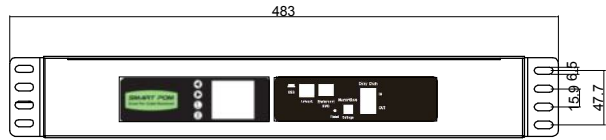


Copyright 2017 -

RoHS Compliant



<p><b>POM Series</b></p> <p>Inlet power monitoring Per outlet monitoring Environmental monitoring</p>	<p><b>OUTPUT</b></p> <p>(10) IECC13 (10A Rated) (2) UK Socket (13A Rated)</p>	<p><b>OPERATING TEMPERATURE</b></p> <p>0° to 60°C</p>
<p><b>INPUT</b></p> <p>250VAC 16A 50HZ 16A Commando plug 3M H05VV-F3G1.5mm Power lead</p>	<p><b>BRANCH CIRCUITS</b></p> <p>(NONE)</p>	<p><b>MOUNTING ACCESORIES</b></p> <p>(2) Metal Bracket</p>

Revisions		
Rev	Description	Date

DRAWING TYPE		ENBNPOM60100216AH	
 <small>(NO PERMISSION, NO CHANGING)</small>		<b>Housing</b> Aluminium Black Powder coating	
<b>unit=mm</b>			
TECHNICAL STANDARD 1.IT11; 2.NO RUSTNESS 3.NO FLAW ON THE SURFACE		SCALE 1:3 DATE 12-05-2017	
<b>FILLET</b> R0.5 <b>ANGLE</b> ±0.5° FIRST ANGLE			
			