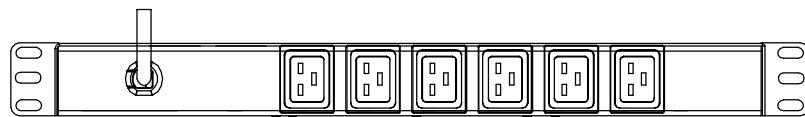
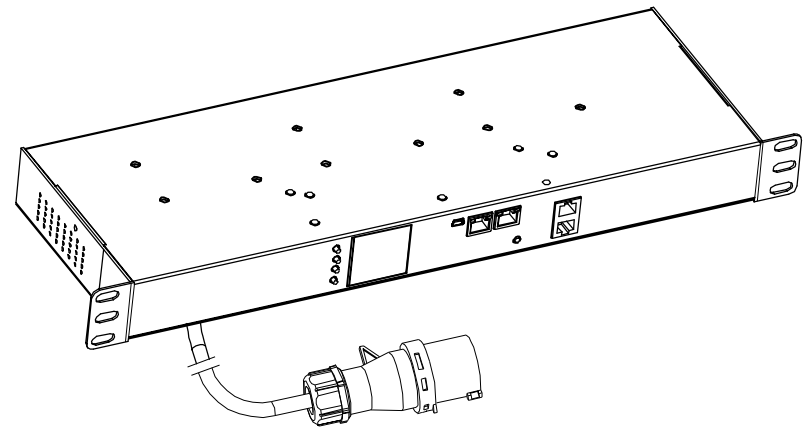
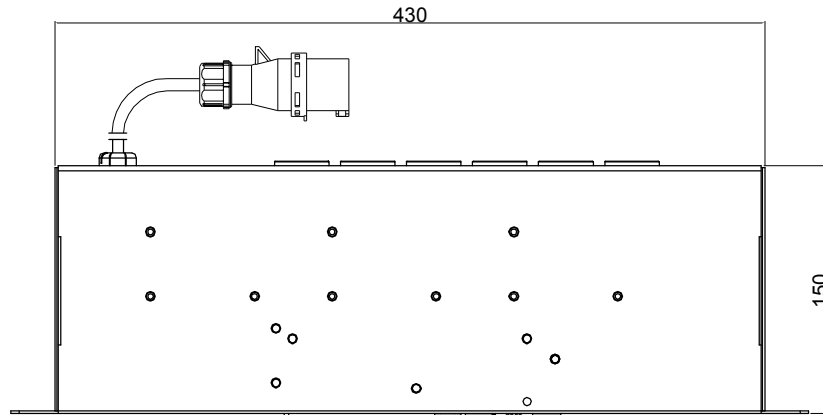
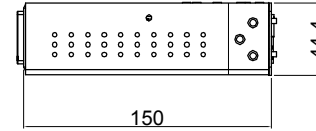
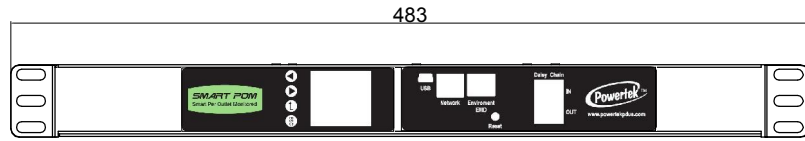


Copyright 2017 -

RoHS Compliant



<p><b>POM Series</b> Inlet Power monitoring Per Outlet monitoring Environmental monitoring</p>	<p><b>OUTPUT</b> (6) IECC19 (16A Rated)</p>	<p><b>OPERATING TEMPERATURE</b> 0° to 60°C</p>
<p><b>INPUT</b> 250VAC 16A 50HZ 16A Commando plug 3M H05VV-F3G1.5mm Power lead</p>	<p><b>BRANCH CIRCUITS</b> (NONE)</p>	<p><b>MOUNTING ACCESORIES</b> (2) Metal Bracket</p>

Revisions		
Rev	Description	Date

DRAWING TYPE  (NO PERMISSION, NO CHANGING)		IECPOMS600616AH	
unit=mm		Housing	1.2mm steel
TECHNICAL STANDARD 1.IT11; 2.NO RUSTNESS 3.NO FLAW ON THE SURFACE			Black Powder Coating
FILLET	R0.5		
ANGLE	±0.5°		
FIRST ANGLE 			
SCALE 1:3		DATE 17-05-2017	