

1 2 3 4 5 6 7 8

A

B

C

D

E

F

A

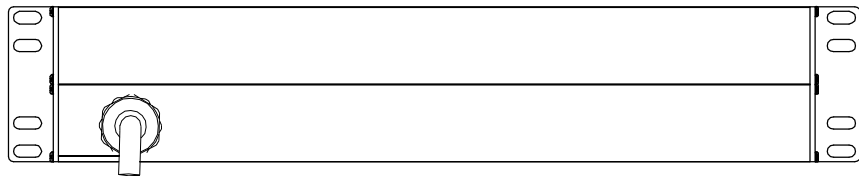
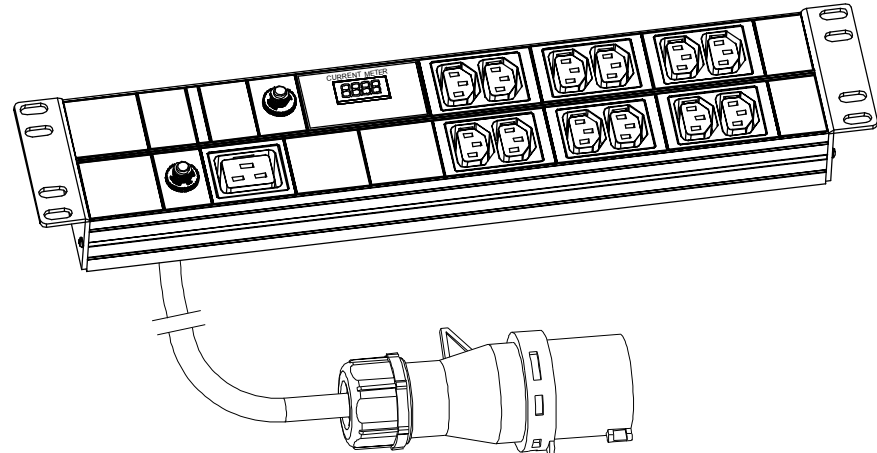
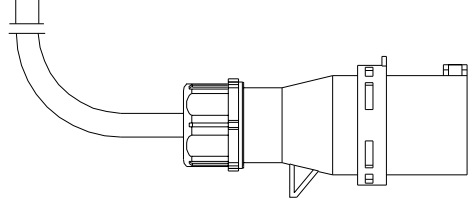
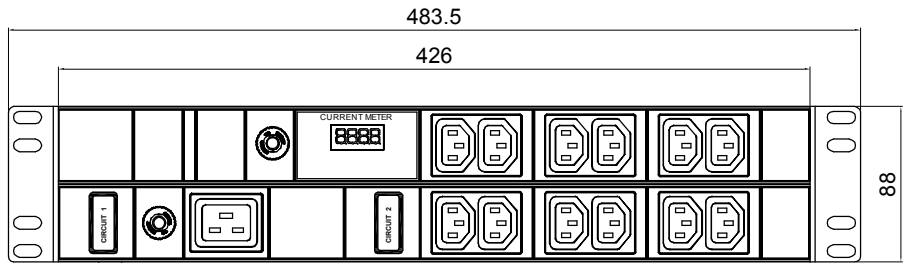
B

C


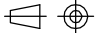
D

E

F



Outlets 12x IEC C13 + 1xC19
 Protection 2x16A Overload
 Indicator .Current Meter
 Power Plug IEC60309 32A
 Power Cable H07RN-F 3G4.0mm², 3M
 Current Rating 32A
 Voltage Rating 250VAC

DRAWING TYPE		ENIECOM42120132A2UH	
 (NO PERMISSION, NO CHANGING)		MATERIAL:	
TECHNICAL STANDARD 1.IT11; 2.NO RUSTNESS 3.NO FLAW ON THE SURFACE			
FILLET	R0.5		
ANGLE	±0.5°		
FIRST ANGLE			
			
SCALE 1:3		DATE 2014-03-18	

1 2 3 4 5 6 7 8